



**Electrolux**  
PROFESSIONAL

**Handling System for Rack Type  
Automatic Sorting Table, Dishwashing  
Driven with 4 Baskets - Left to Right,  
2430mm**

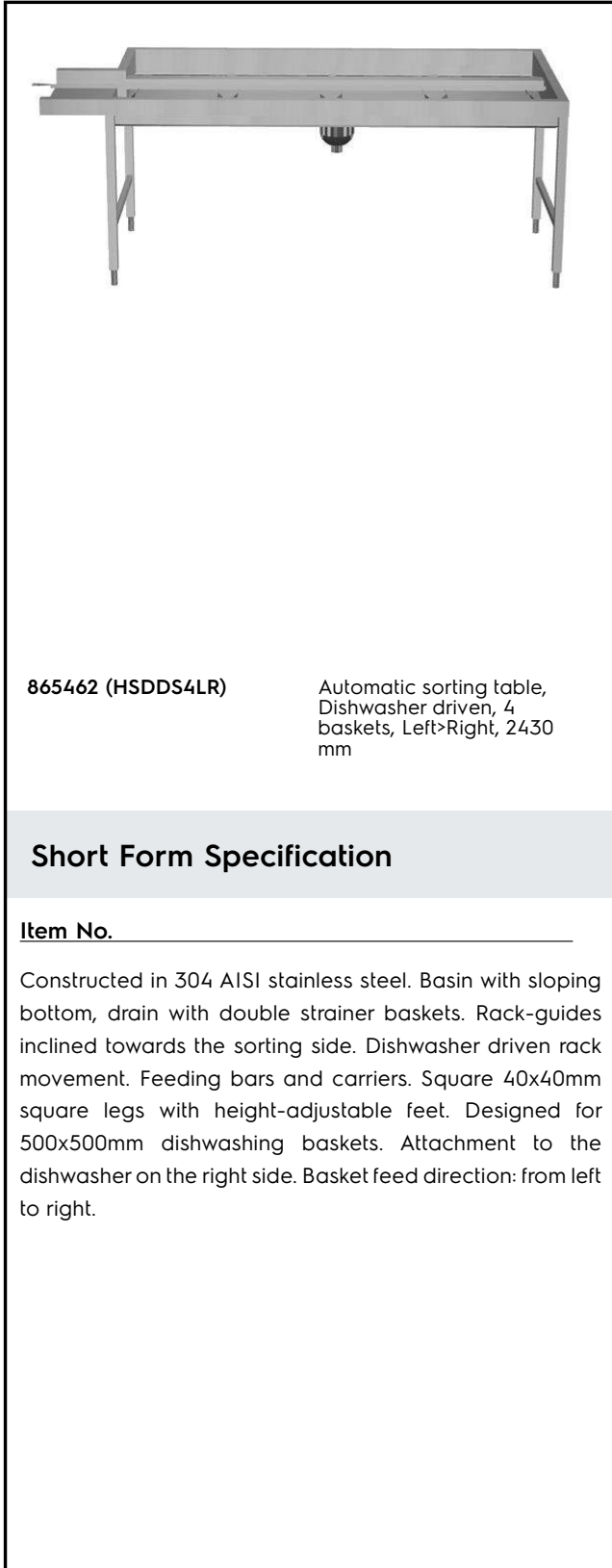
ITEM # \_\_\_\_\_

MODEL # \_\_\_\_\_

NAME # \_\_\_\_\_

SIS # \_\_\_\_\_

AIA # \_\_\_\_\_



865462 (HSDDS4LR)

Automatic sorting table,  
Dishwasher driven, 4  
baskets, Left>Right, 2430  
mm

**Short Form Specification**

**Item No.** \_\_\_\_\_

Constructed in 304 AISI stainless steel. Basin with sloping bottom, drain with double strainer baskets. Rack-guides inclined towards the sorting side. Dishwasher driven rack movement. Feeding bars and carriers. Square 40x40mm square legs with height-adjustable feet. Designed for 500x500mm dishwashing baskets. Attachment to the dishwasher on the right side. Basket feed direction: from left to right.

**Main Features**

- "Key holes" and "snap on" system reduces the number of screws needed for fast and easy installation.
- Designed to transport 500x500 mm dishwashing baskets.
- Stacking tables for 7 and 8 baskets on request.
- Optional extras: basin wash nozzles for cleaning the basin.
- Driven by the dishwasher.

**Construction**

- All surfaces smooth with polished finish.
- Thick welded flanges for sturdy connection between the units.
- Sloping bottom of the table grants a smooth and rapid drainage.
- Stainless steel strainer baskets easy to remove.
- Rack-guides inclined towards the basin.
- Double filter strainer installed on both sides allow the access from both directions.
- Double stainless steel strainer basket for easy operation.
- Constructed in AISI 304 stainless steel with square 40x40mm tubular construction feet and legs.

**Optional Accessories**

- Pre-rinse unit (thermostatic mixer and shower) to be mounted on overshell PNC 863136
- Additional waste rack for dishwasher driven and automatic sorting table PNC 863173
- Soaking basin for cutlery rack including lifting device for dishwasher driven sorting table PNC 863230
- Emergency stop kit for Rack Type Dishwasher (not for Basic handling system) PNC 865162
- Basket support for vertical stacking of baskets (to be used with overshell) PNC 865208
- Pre-rinse unit (mixer and shower) PNC 865209
- Double overshell for 4-basket sorting table, 2120 mm PNC 865299
- Overshell for 4-basket sorting table, 2120 mm PNC 865430
- Tray slide for 4-basket sorting table, 2130 mm PNC 865434
- Tray slide fixing brackets (3pcs) PNC 865437
- Grid undershell for 4-basket sorting table PNC 865439
- Pre-wash spray unit, 1500 mm PNC 865443
- Tray slide for sorting table, 500 mm PNC 865444
- Tray slide with waste hole and rubber ring, 500 mm PNC 865445
- Dish scraper PNC 865447
- Water heating kit for wash basin PNC 865449

**APPROVAL:** \_\_\_\_\_



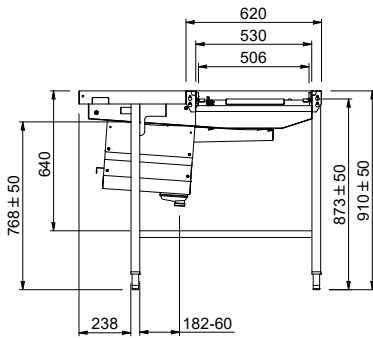
Experience the Excellence  
[www.electroluxprofessional.com](http://www.electroluxprofessional.com)



- Foldable tray slide for 4-basket sorting table, 2130 mm PNC 865455
- Retractable pre-rinse unit with fixed thermostatic water mixer, hose length, 14mm PNC 865460
- Brackets to support baskets under the sorting table PNC 865478

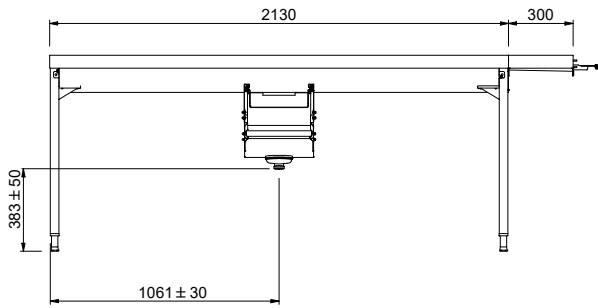


Side



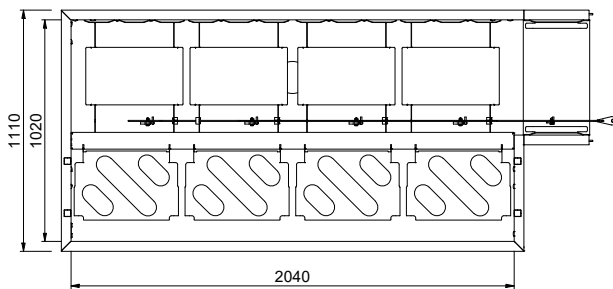
Factory mounted waste rack

Front



D = Drain

Top


**Key Information:**

<b>External dimensions, Width:</b>	
<b>865462 (HSDDS4LR)</b>	2430 mm
<b>External dimensions, Depth:</b>	1110 mm
<b>External dimensions, Height:</b>	910 mm
<b>Net weight:</b>	52 kg
<b>Height adjustment:</b>	50/50 mm
<b>Basket movement:</b>	Left to right
<b>Position to dishwasher:</b>	Loading
<b>Basin material:</b>	Stainless Steel AISI 304 - EN 1.4301